

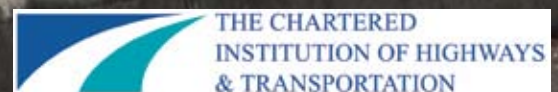
**NEW**



# Advanced Neopolitan 150™ Bollard

with LockFast™ Socket

**The Glasdon Rebound Neopolitan Bollard now with a Lockfast socket to save you time and money!**



[www.safety4highways.com](http://www.safety4highways.com)

# NEW LockFast Socket allows quick and easy bollard top replacement, reducing the need for road closure or costly reinstatement.

The first Glasdon socketed bollard proven passively safe to Performance Standard NE4/100.

## Updated design

- Larger lower reflector designed to catch dipped headlights.
- Individual reflectors for improved drive through performance.
- Co-ordinates with existing Neopolitan range of bollards.
- Screw-in lock cover prevents debris build-up.



## LockFast™ socket

Moulded-in product code aids correct bollard top replacement.

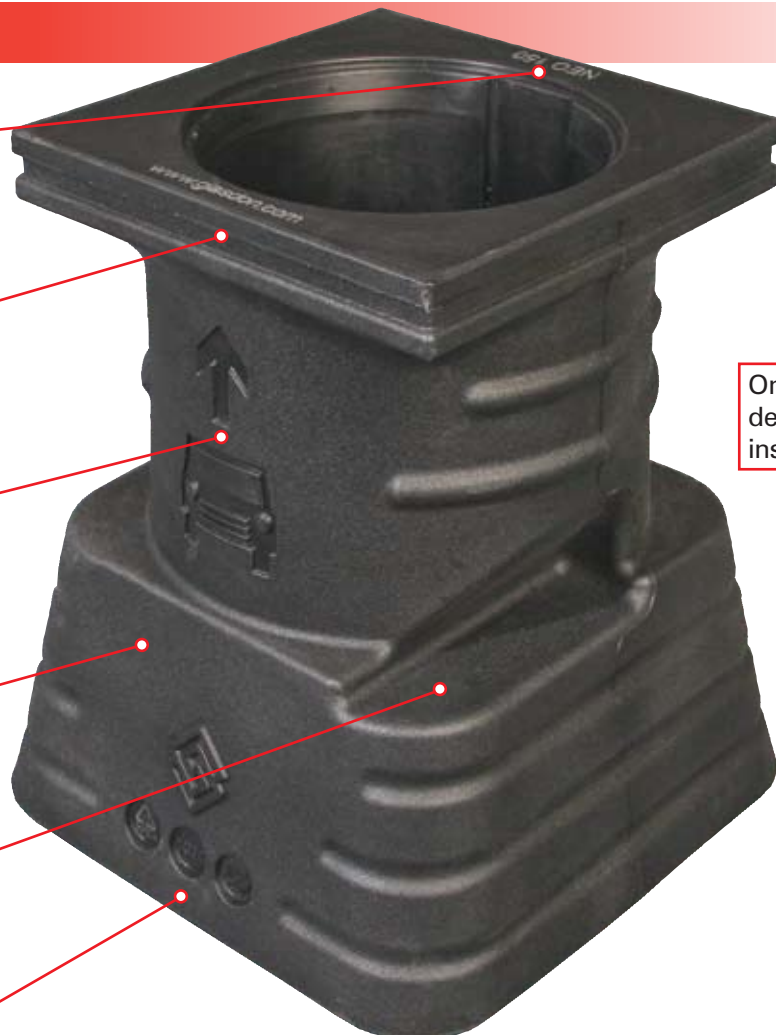
Square shape prevents twisting during a drive through and is easy to pave around.

Moulded-in arrow and logo aids correct installation.

Made from Durapol®, a proven corrosion-resistant and impact-resistant material and fully recyclable after its long service life.

Anchor points help to prevent uprooting.

Flat base - much easier to level.



Only 350mm deep for quicker installation.

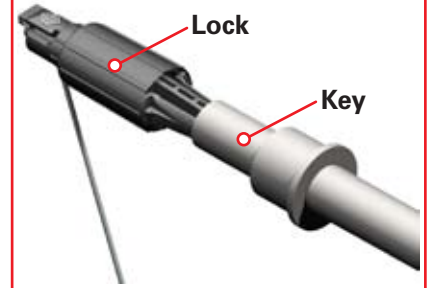
Order by telephone on **01253 600411**

# Advanced Neopolitan 150™ socketed bollard

Lock cover keeps out debris and prevents unauthorised access to the locking mechanism.

Twist-lock mechanism prevents force being exerted onto the lock clip during drive through.

Tamper proof lock ensures bollard can only be removed using the correct key, preventing unauthorised removal.



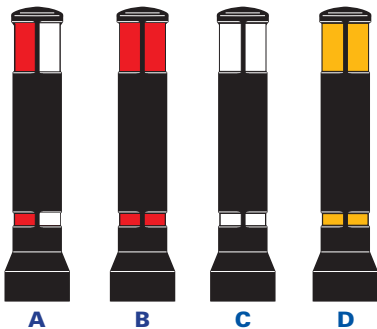
Drainage channels remove water and dirt for ease of operation.

Corrosion-resistant, spring-loaded lock clip allows the bollard to be inserted and locked without the need for a key.

PVC anchor pin reinforces fixing in the event of a drive through.

Base plate prevents debris build-up.

## Banding options

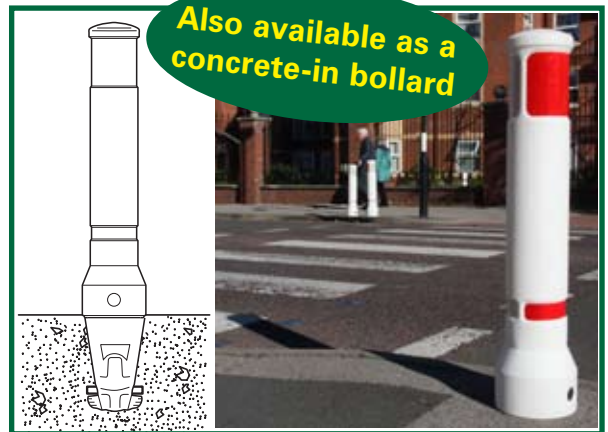


Now incorporating individual reflectors for improved drive-through performance.

- A.** 2 x 40mm and 2 x 150mm Red/White retroreflective bands.
- B.** 2 x 40mm and 2 x 150mm Red retroreflective bands.
- C.** 2 x 40mm and 2 x 150mm White retroreflective bands.
- D.** 2 x 40mm and 2 x 150mm Amber retroreflective bands.

150mm band is ideal for personalisation with your crest, logo or message.

Also available as a concrete-in bollard



## Bollard colour options



## Optional extra

- Galvanised mild steel blanking plate removes trip hazard and aids installation.

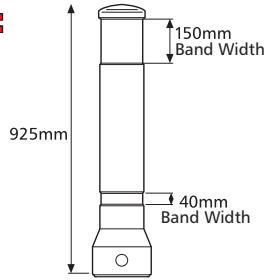


Order by email at [hs@glasdon-uk.co.uk](mailto:hs@glasdon-uk.co.uk)

## Technical information

### Advanced Neopolitan 150:

Height above ground: 925mm  
 Total height of bollard stem: 1215mm  
 Maximum stem diameter: 200mm  
 Depth below ground (extended base fixing): 290mm  
 Weight: 4kg  
 Material: Impactapol®



### LockFast Socket:

Height: 350mm  
 Top: 240 x 240mm  
 Base: 305 x 305mm  
 Weight: 3.7kg  
 Material: Durapol

(Model specification available on request.)



## Installation (estimated time: 20 minutes)



1. Prepare a hole 425 x 425mm and 380mm deep with 30mm of gravel at the base.



2. Place the socket in the hole with the traffic direction indicator correctly aligned, ensuring it is level.



3. Back fill the hole with cement and allow to set.



4. Place the bollard top in the socket and twist 90 degrees to lock.

## Also available



Neopolitan 150 (Bolt-Down)



Neopolitan 20



Neopolitan Ensign



Neopolitan Mini Ensign



Neopolitan Signhead

Visit our company website at [www.glasdon.com](http://www.glasdon.com) or our highways website at [www.safety4highways.com](http://www.safety4highways.com)



For information on other Glasdon products, please contact our Sales Office by telephone: **01253 600411**, fax: **01253 792558** or email: [hs@glasdon-uk.co.uk](mailto:hs@glasdon-uk.co.uk)

Glasdon®, Advanced Neopolitan 150, Durapol, Impactapol and LockFast are trademarks or registered trademarks of GLASDON GROUP or its subsidiaries in the UK and other countries.

Glasdon Group Limited Is An Equal Opportunities Employer.

© Glasdon UK Ltd. 11/2010. Glasdon reserve the right to alter price and specification without prior notice. JD/



**Glasdon**

**Glasdon U.K. Limited**  
 Local Government  
 Highways and Safety Division  
 Preston New Road  
 BLACKPOOL  
 Lancashire  
 FY4 4UL

Tel: (01253) 600411  
 Fax: (01253) 792558  
 e-mail: [hs@glasdon-uk.co.uk](mailto:hs@glasdon-uk.co.uk)  
 web: [www.glasdon.com](http://www.glasdon.com)



G0726/00